

| 車両情報 | | | | |
|-------|------------|---------------|-------|---|
| 車名 | 初年度登録 | 型式 | 形状 | 車台番号 |
| 三菱ふそう | 令和 6年8月 | 2RG-FBA20 | ドライバン | FBA20-610215 |
| 走行 | 馬力 | シフト | ブレーキ | ボディ内寸 |
| 472km | 130PS/96KW | A/T デュオニック 6速 | ハキューム | 長: 3,100 mm 幅: 1,770 mm 高: 2,070 mm 門高: 2,000 mm |

◎: 良好 ○: 通常走行問題なし △: 要修理 /: 装備無し ※あくまでも当社判断基準によるものです

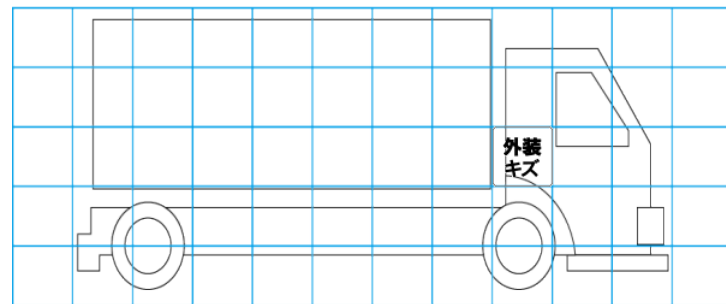
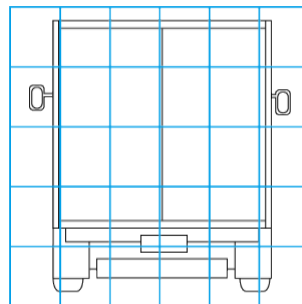
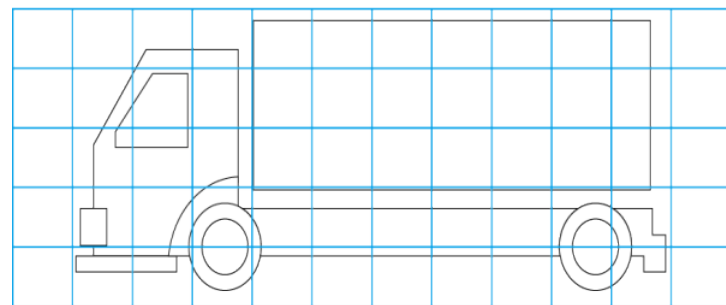
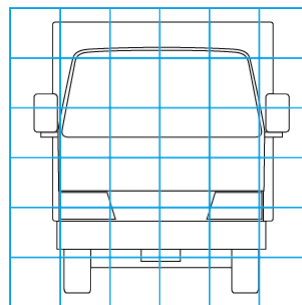
| エンジン | | | 電装関係 | | | キャビン | | | | | | | | | | | | | | | | | | | | | | | | | | | | | | | | | | | | | | | | | | | | | | | | | | |
|---|----|----------|-----------|-------|----|---|-------|----|------|---|--|------|----|----|-------|---|--|------|---|--|-------|---|--|------|---|--|--|---|----------|------|--|--|------|----|----|-----|---|----|---|--|--|----|--|--|------|----|----|----|---|--|-------|---|--|-------|---|--|
| 点検項目 | 結果 | 状態 | 点検項目 | 結果 | 状態 | 点検項目 | 結果 | 状態 | | | | | | | | | | | | | | | | | | | | | | | | | | | | | | | | | | | | | | | | | | | | | | | | |
| 異音 | ◎ | | エアコン | ◎ | | シート | ◎ | | | | | | | | | | | | | | | | | | | | | | | | | | | | | | | | | | | | | | | | | | | | | | | | | |
| オイル混入 | ◎ | | スターター | ◎ | | ヘッドライト | ◎ LED | | | | | | | | | | | | | | | | | | | | | | | | | | | | | | | | | | | | | | | | | | | | | | | | | |
| オイル漏れ | ◎ | | オルタネーター | ◎ | | ウィンカー | ◎ | | | | | | | | | | | | | | | | | | | | | | | | | | | | | | | | | | | | | | | | | | | | | | | | | |
| 水混入 | ◎ | | P/W (運転席) | ◎ | | ワイパー | ◎ | | | | | | | | | | | | | | | | | | | | | | | | | | | | | | | | | | | | | | | | | | | | | | | | | |
| 水漏れ | ◎ | | P/W (助手席) | ◎ | | ミラー | ◎ | | | | | | | | | | | | | | | | | | | | | | | | | | | | | | | | | | | | | | | | | | | | | | | | | |
| 燃料漏れ | ◎ | | 坂道発進装置 | ◎ | | <table border="1"> <thead> <tr> <th colspan="3">走行関係</th> </tr> <tr> <th>点検項目</th> <th>結果</th> <th>状態</th> </tr> </thead> <tbody> <tr> <td>リーフサス</td> <td>◎</td> <td></td> </tr> <tr> <td>エアサス</td> <td>/</td> <td></td> </tr> <tr> <td>パワステ</td> <td>◎</td> <td></td> </tr> <tr> <td>ハンドル</td> <td>◎</td> <td></td> </tr> <tr> <td>燃料タンク</td> <td>◎</td> <td>スチール 70L</td> </tr> </tbody> </table> | | | 走行関係 | | | 点検項目 | 結果 | 状態 | リーフサス | ◎ | | エアサス | / | | パワステ | ◎ | | ハンドル | ◎ | | 燃料タンク | ◎ | スチール 70L | | | | | | | | | | | | | | | | | | | | | | | | | | | |
| 走行関係 | | | | | | | | | | | | | | | | | | | | | | | | | | | | | | | | | | | | | | | | | | | | | | | | | | | | | | | | |
| 点検項目 | 結果 | 状態 | | | | | | | | | | | | | | | | | | | | | | | | | | | | | | | | | | | | | | | | | | | | | | | | | | | | | | |
| リーフサス | ◎ | | | | | | | | | | | | | | | | | | | | | | | | | | | | | | | | | | | | | | | | | | | | | | | | | | | | | | | |
| エアサス | / | | | | | | | | | | | | | | | | | | | | | | | | | | | | | | | | | | | | | | | | | | | | | | | | | | | | | | | |
| パワステ | ◎ | | | | | | | | | | | | | | | | | | | | | | | | | | | | | | | | | | | | | | | | | | | | | | | | | | | | | | | |
| ハンドル | ◎ | | | | | | | | | | | | | | | | | | | | | | | | | | | | | | | | | | | | | | | | | | | | | | | | | | | | | | | |
| 燃料タンク | ◎ | スチール 70L | | | | | | | | | | | | | | | | | | | | | | | | | | | | | | | | | | | | | | | | | | | | | | | | | | | | | | |
| 排気 | ◎ | | 異常ランプ | ◎ | | リアフサス | ◎ | | | | | | | | | | | | | | | | | | | | | | | | | | | | | | | | | | | | | | | | | | | | | | | | | |
| マフラー | ◎ | | オーディオ | ◎ | | エアサス | / | | | | | | | | | | | | | | | | | | | | | | | | | | | | | | | | | | | | | | | | | | | | | | | | | |
| ターボ | ◎ | | バックカメラ | ◎ カラー | | パワステ | ◎ | | | | | | | | | | | | | | | | | | | | | | | | | | | | | | | | | | | | | | | | | | | | | | | | | |
| 冷却水吹返 | ◎ | | 電格ミラー | ◎ | | ハンドル | ◎ | | | | | | | | | | | | | | | | | | | | | | | | | | | | | | | | | | | | | | | | | | | | | | | | | |
| <table border="1"> <thead> <tr> <th colspan="3">ミッション</th> </tr> <tr> <th>点検項目</th> <th>結果</th> <th>状態</th> </tr> </thead> <tbody> <tr> <td>ギア鳴き</td> <td>◎</td> <td></td> </tr> <tr> <td>ギア抜け</td> <td>◎</td> <td></td> </tr> <tr> <td>クラッチ</td> <td>/</td> <td></td> </tr> <tr> <td>異音</td> <td>◎</td> <td></td> </tr> <tr> <td>オイル漏れ</td> <td>◎</td> <td></td> </tr> <tr> <td>リターダ</td> <td>/</td> <td></td> </tr> </tbody> </table> | | | ミッション | | | 点検項目 | 結果 | 状態 | ギア鳴き | ◎ | | ギア抜け | ◎ | | クラッチ | / | | 異音 | ◎ | | オイル漏れ | ◎ | | リターダ | / | | <table border="1"> <thead> <tr> <th colspan="3">上物仕様</th> </tr> <tr> <th>点検項目</th> <th>結果</th> <th>状態</th> </tr> </thead> <tbody> <tr> <td>床材質</td> <td>/</td> <td>木材</td> </tr> </tbody> </table> | | | 上物仕様 | | | 点検項目 | 結果 | 状態 | 床材質 | / | 木材 | <table border="1"> <thead> <tr> <th colspan="3">デフ</th> </tr> <tr> <th>点検項目</th> <th>結果</th> <th>状態</th> </tr> </thead> <tbody> <tr> <td>異音</td> <td>◎</td> <td></td> </tr> <tr> <td>オイル漏れ</td> <td>◎</td> <td></td> </tr> <tr> <td>デフロック</td> <td>/</td> <td></td> </tr> </tbody> </table> | | | デフ | | | 点検項目 | 結果 | 状態 | 異音 | ◎ | | オイル漏れ | ◎ | | デフロック | / | |
| | | | ミッション | | | | | | | | | | | | | | | | | | | | | | | | | | | | | | | | | | | | | | | | | | | | | | | | | | | | | |
| 点検項目 | 結果 | 状態 | | | | | | | | | | | | | | | | | | | | | | | | | | | | | | | | | | | | | | | | | | | | | | | | | | | | | | |
| ギア鳴き | ◎ | | | | | | | | | | | | | | | | | | | | | | | | | | | | | | | | | | | | | | | | | | | | | | | | | | | | | | | |
| ギア抜け | ◎ | | | | | | | | | | | | | | | | | | | | | | | | | | | | | | | | | | | | | | | | | | | | | | | | | | | | | | | |
| クラッチ | / | | | | | | | | | | | | | | | | | | | | | | | | | | | | | | | | | | | | | | | | | | | | | | | | | | | | | | | |
| 異音 | ◎ | | | | | | | | | | | | | | | | | | | | | | | | | | | | | | | | | | | | | | | | | | | | | | | | | | | | | | | |
| オイル漏れ | ◎ | | | | | | | | | | | | | | | | | | | | | | | | | | | | | | | | | | | | | | | | | | | | | | | | | | | | | | | |
| リターダ | / | | | | | | | | | | | | | | | | | | | | | | | | | | | | | | | | | | | | | | | | | | | | | | | | | | | | | | | |
| 上物仕様 | | | | | | | | | | | | | | | | | | | | | | | | | | | | | | | | | | | | | | | | | | | | | | | | | | | | | | | | |
| 点検項目 | 結果 | 状態 | | | | | | | | | | | | | | | | | | | | | | | | | | | | | | | | | | | | | | | | | | | | | | | | | | | | | | |
| 床材質 | / | 木材 | | | | | | | | | | | | | | | | | | | | | | | | | | | | | | | | | | | | | | | | | | | | | | | | | | | | | | |
| デフ | | | | | | | | | | | | | | | | | | | | | | | | | | | | | | | | | | | | | | | | | | | | | | | | | | | | | | | | |
| 点検項目 | 結果 | 状態 | | | | | | | | | | | | | | | | | | | | | | | | | | | | | | | | | | | | | | | | | | | | | | | | | | | | | | |
| 異音 | ◎ | | | | | | | | | | | | | | | | | | | | | | | | | | | | | | | | | | | | | | | | | | | | | | | | | | | | | | | |
| オイル漏れ | ◎ | | | | | | | | | | | | | | | | | | | | | | | | | | | | | | | | | | | | | | | | | | | | | | | | | | | | | | | |
| デフロック | / | | | | | | | | | | | | | | | | | | | | | | | | | | | | | | | | | | | | | | | | | | | | | | | | | | | | | | | |
| | | | | | | | | | | | | | | | | | | | | | | | | | | | | | | | | | | | | | | | | | | | | | | | | | | | | | | | | |

特記事項 アイドリングストップ付き。スマートキー2ヶ。燃料タンクキー2本。ポデーキー2本。運転席ドア点キズ有り。
記録簿 無 ○

| タイヤ残量 | | | | タイヤサイズ | | | |
|--------|---|---|---|--------------|-----------|-----------|-----------|
| 単位: mm | | | | | | | |
| 7 | 7 | | | 195/75R15 | 195/75R15 | | |
| - | - | | | - | - | | |
| 7 | 7 | 7 | 7 | 195/75R15 | 195/75R15 | 195/75R15 | 195/75R15 |
| - | - | - | - | - | - | - | - |
| スペア | | | 7 | - | スペア | | |
| | | | | 素材: スチール 備考: | | | |

| 上物仕様 | | | |
|---------------------------------|------|-------------|-------|
| 上物名 | メーカー | 型式「製造番号」 | 年式 |
| ドライバン | パブコ | 「24-6G6372」 | 令和 6年 |
| 【備考】 ラッシングレール2段。庫内灯2ヶ。90度ストッパー。 | | | |
| 【備考】 | | | |
| 【備考】 | | | |

| 外装状態 | | | |
|----------|--------|---------|----|
| キャブコーション | フレーム番号 | フレームのさび | 飛石 |
| 有 | 確認済 | 無 | 無 |



| 【外装】 | | | | | 【ボデー内】 | | | | | |
|------|-------|----|-----|----|--------|----|------|-------|-------|-----|
| 外装キズ | 外装へこみ | うき | 曲がり | サビ | 補修跡 | 割れ | 庫内キズ | 庫内へこみ | 庫内穴あき | 床汚れ |