

Table: 車両情報 (Vehicle Information) with columns for vehicle name, registration date, type, shape, chassis number, etc.

◎: 良好 ○: 通常走行問題なし △: 要修理 /: 装備無し ※あくまでも当社判断基準によるものです

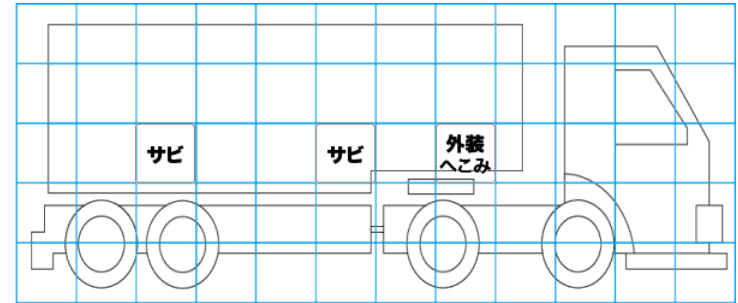
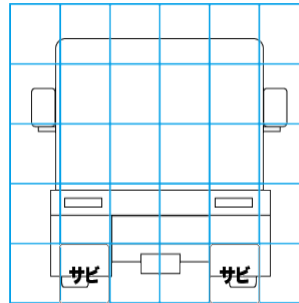
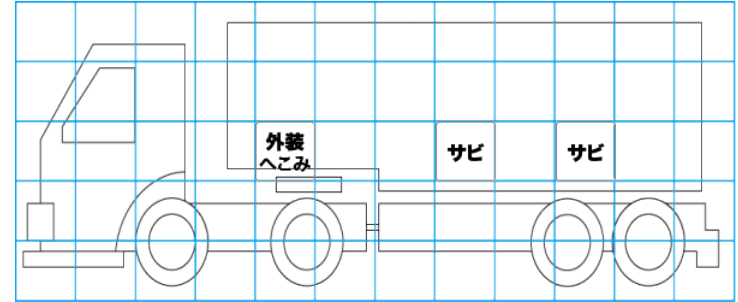
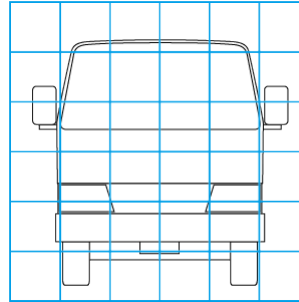
Main inspection table with columns for engine, electrical, cabin, transmission, chassis, and body parts, each with sub-columns for item, result, and status.

特記事項 (Remarks): 記録簿 有 (H24/12, H25/11, H30/3~R6/3)

Table: タイヤ残量 (Tire Remaining) and タイヤサイズ (Tire Size) with a grid for tread depth and tire specifications.

Table: 上物仕様 (Upper Equipment Specification) with columns for item name, manufacturer, model, and year.

Table: 外装状態 (Exterior Condition) with columns for cab coating, frame number, frame rust, and stones.



Legend table for rust and damage indicators: 外装キズ, 外装へこみ, うき, 曲がり, サビ, 補修跡, 割れ, 庫内キズ, 庫内へこみ, 庫内穴あき, 床汚れ.