

| 車両情報     |             |             |         |   |
|----------|-------------|-------------|---------|---|
| 車名       | 初年度登録       | 型式          | 形状      | 車台番号  |
| 日野       | 平成29年10月    | TKG-XZU620T | スライドダンプ | XZU620-0013046                              |
| 走行       | 馬力          | シフト         | ブレーキ    | ボディ内寸                                       |
| 83,594km | 136PS/100KW | M/T 5速      | ハキューム   | 長: 3,050 mm 幅: 1,580 mm<br>高: 360 mm 門高: mm |

◎: 良好 ○: 通常走行問題なし △: 要修理 /: 装備無し ※あくまでも当社判断基準によるものです

| エンジン  |    |          | 電装関係      |    |                     | キャビン  |    |             |      |   |    |   |    |    |       |   |  |      |    |    |       |   |  |       |   |    |  |   |          |      |  |  |      |    |    |     |   |    |   |  |  |    |  |  |      |    |    |    |   |  |       |   |  |       |   |  |
|---|----|----------|-----------|----|---------------------|---|----|-------------|------|---|----|---|----|----|-------|---|--|------|----|----|-------|---|--|-------|---|----|--|---|----------|------|--|--|------|----|----|-----|---|----|---|--|--|----|--|--|------|----|----|----|---|--|-------|---|--|-------|---|--|
| 点検項目  | 結果 | 状態       | 点検項目      | 結果 | 状態                  | 点検項目  | 結果 | 状態          |      |   |    |   |    |    |       |   |  |      |    |    |       |   |  |       |   |    |  |   |          |      |  |  |      |    |    |     |   |    |   |  |  |    |  |  |      |    |    |    |   |  |       |   |  |       |   |  |
| 異音  | ◎  |          | エアコン      | ◎  |                     | シート   | ○  | 破れ、汚れ       |      |   |    |   |    |    |       |   |  |      |    |    |       |   |  |       |   |    |  |   |          |      |  |  |      |    |    |     |   |    |   |  |  |    |  |  |      |    |    |    |   |  |       |   |  |       |   |  |
| オイル混入   | ◎  |          | スターター     | ◎  |                     | ヘッドライト  | ◎  | ハロゲン        |      |   |    |   |    |    |       |   |  |      |    |    |       |   |  |       |   |    |  |   |          |      |  |  |      |    |    |     |   |    |   |  |  |    |  |  |      |    |    |    |   |  |       |   |  |       |   |  |
| オイル漏れ   | ◎  |          | オルタネーター   | ◎  |                     | ウィンカー   | ◎  |             |      |   |    |   |    |    |       |   |  |      |    |    |       |   |  |       |   |    |  |   |          |      |  |  |      |    |    |     |   |    |   |  |  |    |  |  |      |    |    |    |   |  |       |   |  |       |   |  |
| 水混入   | ◎  |          | P/W (運転席) | ◎  |                     | ワイパー  | ◎  |             |      |   |    |   |    |    |       |   |  |      |    |    |       |   |  |       |   |    |  |   |          |      |  |  |      |    |    |     |   |    |   |  |  |    |  |  |      |    |    |    |   |  |       |   |  |       |   |  |
| 水漏れ   | ◎  |          | P/W (助手席) | ◎  |                     | ミラー   | ○  | 左ミラーカバーキズ有り |      |   |    |   |    |    |       |   |  |      |    |    |       |   |  |       |   |    |  |   |          |      |  |  |      |    |    |     |   |    |   |  |  |    |  |  |      |    |    |    |   |  |       |   |  |       |   |  |
| 燃料漏れ  | ◎  |          | 坂道発進装置    | ◎  |                     | <table border="1"> <thead> <tr> <th colspan="3">走行関係</th> </tr> <tr> <th>点検項目</th> <th>結果</th> <th>状態</th> </tr> </thead> <tbody> <tr> <td>リーフサス</td> <td>◎</td> <td></td> </tr> <tr> <td>エアサス</td> <td>/</td> <td></td> </tr> <tr> <td>パワステ</td> <td>◎</td> <td></td> </tr> <tr> <td>ハンドル</td> <td>○</td> <td>擦れ</td> </tr> <tr> <td>燃料タンク</td> <td>◎</td> <td>スチール 80L</td> </tr> </tbody> </table> |    |             | 走行関係 |   |    | 点検項目  | 結果 | 状態 | リーフサス | ◎ |  | エアサス | /  |    | パワステ  | ◎ |  | ハンドル  | ○ | 擦れ | 燃料タンク  | ◎ | スチール 80L |      |  |  |      |    |    |     |   |    |   |  |  |    |  |  |      |    |    |    |   |  |       |   |  |       |   |  |
| 走行関係  |    |          |           |    |                     |   |    |             |      |   |    |   |    |    |       |   |  |      |    |    |       |   |  |       |   |    |  |   |          |      |  |  |      |    |    |     |   |    |   |  |  |    |  |  |      |    |    |    |   |  |       |   |  |       |   |  |
| 点検項目  | 結果 | 状態       |           |    |                     |   |    |             |      |   |    |   |    |    |       |   |  |      |    |    |       |   |  |       |   |    |  |   |          |      |  |  |      |    |    |     |   |    |   |  |  |    |  |  |      |    |    |    |   |  |       |   |  |       |   |  |
| リーフサス   | ◎  |          |           |    |                     |   |    |             |      |   |    |   |    |    |       |   |  |      |    |    |       |   |  |       |   |    |  |   |          |      |  |  |      |    |    |     |   |    |   |  |  |    |  |  |      |    |    |    |   |  |       |   |  |       |   |  |
| エアサス  | /  |          |           |    |                     |   |    |             |      |   |    |   |    |    |       |   |  |      |    |    |       |   |  |       |   |    |  |   |          |      |  |  |      |    |    |     |   |    |   |  |  |    |  |  |      |    |    |    |   |  |       |   |  |       |   |  |
| パワステ  | ◎  |          |           |    |                     |   |    |             |      |   |    |   |    |    |       |   |  |      |    |    |       |   |  |       |   |    |  |   |          |      |  |  |      |    |    |     |   |    |   |  |  |    |  |  |      |    |    |    |   |  |       |   |  |       |   |  |
| ハンドル  | ○  | 擦れ       |           |    |                     |   |    |             |      |   |    |   |    |    |       |   |  |      |    |    |       |   |  |       |   |    |  |   |          |      |  |  |      |    |    |     |   |    |   |  |  |    |  |  |      |    |    |    |   |  |       |   |  |       |   |  |
| 燃料タンク   | ◎  | スチール 80L |           |    |                     |   |    |             |      |   |    |   |    |    |       |   |  |      |    |    |       |   |  |       |   |    |  |   |          |      |  |  |      |    |    |     |   |    |   |  |  |    |  |  |      |    |    |    |   |  |       |   |  |       |   |  |
| 排気  | ◎  |          | 異常ランプ     | ◎  | アンダーミラーがフロントガラスに当たる | リアフラス   | ◎  |             |      |   |    |   |    |    |       |   |  |      |    |    |       |   |  |       |   |    |  |   |          |      |  |  |      |    |    |     |   |    |   |  |  |    |  |  |      |    |    |    |   |  |       |   |  |       |   |  |
| マフラー  | ◎  |          | オーディオ     | ◎  |                     | エアサス  | /  |             |      |   |    |   |    |    |       |   |  |      |    |    |       |   |  |       |   |    |  |   |          |      |  |  |      |    |    |     |   |    |   |  |  |    |  |  |      |    |    |    |   |  |       |   |  |       |   |  |
| ターボ   | ◎  |          | バックカメラ    | /  |                     | パワステ  | ◎  |             |      |   |    |   |    |    |       |   |  |      |    |    |       |   |  |       |   |    |  |   |          |      |  |  |      |    |    |     |   |    |   |  |  |    |  |  |      |    |    |    |   |  |       |   |  |       |   |  |
| 冷却水吹返   | ◎  |          | 電格ミラー     | ○  |                     | ハンドル  | ○  | 擦れ          |      |   |    |   |    |    |       |   |  |      |    |    |       |   |  |       |   |    |  |   |          |      |  |  |      |    |    |     |   |    |   |  |  |    |  |  |      |    |    |    |   |  |       |   |  |       |   |  |
| <table border="1"> <thead> <tr> <th colspan="3">ミッション</th> </tr> <tr> <th>点検項目</th> <th>結果</th> <th>状態</th> </tr> </thead> <tbody> <tr> <td>ギア鳴き</td> <td>◎</td> <td></td> </tr> <tr> <td>ギア抜け</td> <td>◎</td> <td></td> </tr> <tr> <td>クラッチ</td> <td>◎</td> <td></td> </tr> <tr> <td>異音</td> <td>◎</td> <td></td> </tr> <tr> <td>オイル漏れ</td> <td>◎</td> <td></td> </tr> <tr> <td>リターダ</td> <td>/</td> <td></td> </tr> </tbody> </table> |    |          | ミッション     |    |                     | 点検項目  | 結果 | 状態          | ギア鳴き | ◎ |    | ギア抜け  | ◎  |    | クラッチ  | ◎ |  | 異音   | ◎  |    | オイル漏れ | ◎ |  | リターダ  | / |    | <table border="1"> <thead> <tr> <th colspan="3">上物仕様</th> </tr> <tr> <th>点検項目</th> <th>結果</th> <th>状態</th> </tr> </thead> <tbody> <tr> <td>床材質</td> <td>/</td> <td>鉄板</td> </tr> </tbody> </table> |   |          | 上物仕様 |  |  | 点検項目 | 結果 | 状態 | 床材質 | / | 鉄板 | <table border="1"> <thead> <tr> <th colspan="3">デフ</th> </tr> <tr> <th>点検項目</th> <th>結果</th> <th>状態</th> </tr> </thead> <tbody> <tr> <td>異音</td> <td>◎</td> <td></td> </tr> <tr> <td>オイル漏れ</td> <td>◎</td> <td></td> </tr> <tr> <td>デフロック</td> <td>/</td> <td></td> </tr> </tbody> </table> |  |  | デフ |  |  | 点検項目 | 結果 | 状態 | 異音 | ◎ |  | オイル漏れ | ◎ |  | デフロック | / |  |
|   |    |          | ミッション     |    |                     |   |    |             |      |   |    |   |    |    |       |   |  |      |    |    |       |   |  |       |   |    |  |   |          |      |  |  |      |    |    |     |   |    |   |  |  |    |  |  |      |    |    |    |   |  |       |   |  |       |   |  |
|   |    |          | 点検項目      | 結果 | 状態                  |   |    |             |      |   |    |   |    |    |       |   |  |      |    |    |       |   |  |       |   |    |  |   |          |      |  |  |      |    |    |     |   |    |   |  |  |    |  |  |      |    |    |    |   |  |       |   |  |       |   |  |
|   |    |          | ギア鳴き      | ◎  |                     |   |    |             |      |   |    |   |    |    |       |   |  |      |    |    |       |   |  |       |   |    |  |   |          |      |  |  |      |    |    |     |   |    |   |  |  |    |  |  |      |    |    |    |   |  |       |   |  |       |   |  |
| ギア抜け  | ◎  |          |           |    |                     |   |    |             |      |   |    |   |    |    |       |   |  |      |    |    |       |   |  |       |   |    |  |   |          |      |  |  |      |    |    |     |   |    |   |  |  |    |  |  |      |    |    |    |   |  |       |   |  |       |   |  |
| クラッチ  | ◎  |          |           |    |                     |   |    |             |      |   |    |   |    |    |       |   |  |      |    |    |       |   |  |       |   |    |  |   |          |      |  |  |      |    |    |     |   |    |   |  |  |    |  |  |      |    |    |    |   |  |       |   |  |       |   |  |
| 異音  | ◎  |          |           |    |                     |   |    |             |      |   |    |   |    |    |       |   |  |      |    |    |       |   |  |       |   |    |  |   |          |      |  |  |      |    |    |     |   |    |   |  |  |    |  |  |      |    |    |    |   |  |       |   |  |       |   |  |
| オイル漏れ   | ◎  |          |           |    |                     |   |    |             |      |   |    |   |    |    |       |   |  |      |    |    |       |   |  |       |   |    |  |   |          |      |  |  |      |    |    |     |   |    |   |  |  |    |  |  |      |    |    |    |   |  |       |   |  |       |   |  |
| リターダ  | /  |          |           |    |                     |   |    |             |      |   |    |   |    |    |       |   |  |      |    |    |       |   |  |       |   |    |  |   |          |      |  |  |      |    |    |     |   |    |   |  |  |    |  |  |      |    |    |    |   |  |       |   |  |       |   |  |
| 上物仕様  |    |          |           |    |                     |   |    |             |      |   |    |   |    |    |       |   |  |      |    |    |       |   |  |       |   |    |  |   |          |      |  |  |      |    |    |     |   |    |   |  |  |    |  |  |      |    |    |    |   |  |       |   |  |       |   |  |
| 点検項目  | 結果 | 状態       |           |    |                     |   |    |             |      |   |    |   |    |    |       |   |  |      |    |    |       |   |  |       |   |    |  |   |          |      |  |  |      |    |    |     |   |    |   |  |  |    |  |  |      |    |    |    |   |  |       |   |  |       |   |  |
| 床材質   | /  | 鉄板       |           |    |                     |   |    |             |      |   |    |   |    |    |       |   |  |      |    |    |       |   |  |       |   |    |  |   |          |      |  |  |      |    |    |     |   |    |   |  |  |    |  |  |      |    |    |    |   |  |       |   |  |       |   |  |
| デフ  |    |          |           |    |                     |   |    |             |      |   |    |   |    |    |       |   |  |      |    |    |       |   |  |       |   |    |  |   |          |      |  |  |      |    |    |     |   |    |   |  |  |    |  |  |      |    |    |    |   |  |       |   |  |       |   |  |
| 点検項目  | 結果 | 状態       |           |    |                     |   |    |             |      |   |    |   |    |    |       |   |  |      |    |    |       |   |  |       |   |    |  |   |          |      |  |  |      |    |    |     |   |    |   |  |  |    |  |  |      |    |    |    |   |  |       |   |  |       |   |  |
| 異音  | ◎  |          |           |    |                     |   |    |             |      |   |    |   |    |    |       |   |  |      |    |    |       |   |  |       |   |    |  |   |          |      |  |  |      |    |    |     |   |    |   |  |  |    |  |  |      |    |    |    |   |  |       |   |  |       |   |  |
| オイル漏れ   | ◎  |          |           |    |                     |   |    |             |      |   |    |   |    |    |       |   |  |      |    |    |       |   |  |       |   |    |  |   |          |      |  |  |      |    |    |     |   |    |   |  |  |    |  |  |      |    |    |    |   |  |       |   |  |       |   |  |
| デフロック   | /  |          |           |    |                     |   |    |             |      |   |    |   |    |    |       |   |  |      |    |    |       |   |  |       |   |    |  |   |          |      |  |  |      |    |    |     |   |    |   |  |  |    |  |  |      |    |    |    |   |  |       |   |  |       |   |  |
| <table border="1"> <thead> <tr> <th colspan="3">上物仕様</th> </tr> <tr> <th>点検項目</th> <th>結果</th> <th>状態</th> </tr> </thead> <tbody> <tr> <td>床材質</td> <td>/</td> <td>鉄板</td> </tr> </tbody> </table>  |    |          | 上物仕様      |    |                     | 点検項目  | 結果 | 状態          | 床材質  | / | 鉄板 | <table border="1"> <thead> <tr> <th colspan="3">デフ</th> </tr> <tr> <th>点検項目</th> <th>結果</th> <th>状態</th> </tr> </thead> <tbody> <tr> <td>異音</td> <td>◎</td> <td></td> </tr> <tr> <td>オイル漏れ</td> <td>◎</td> <td></td> </tr> <tr> <td>デフロック</td> <td>/</td> <td></td> </tr> </tbody> </table> |    |    | デフ    |   |  | 点検項目 | 結果 | 状態 | 異音    | ◎ |  | オイル漏れ | ◎ |    | デフロック  | / |          |      |  |  |      |    |    |     |   |    |   |  |  |    |  |  |      |    |    |    |   |  |       |   |  |       |   |  |
|   |    |          | 上物仕様      |    |                     |   |    |             |      |   |    |   |    |    |       |   |  |      |    |    |       |   |  |       |   |    |  |   |          |      |  |  |      |    |    |     |   |    |   |  |  |    |  |  |      |    |    |    |   |  |       |   |  |       |   |  |
| 点検項目  | 結果 | 状態       |           |    |                     |   |    |             |      |   |    |   |    |    |       |   |  |      |    |    |       |   |  |       |   |    |  |   |          |      |  |  |      |    |    |     |   |    |   |  |  |    |  |  |      |    |    |    |   |  |       |   |  |       |   |  |
| 床材質   | /  | 鉄板       |           |    |                     |   |    |             |      |   |    |   |    |    |       |   |  |      |    |    |       |   |  |       |   |    |  |   |          |      |  |  |      |    |    |     |   |    |   |  |  |    |  |  |      |    |    |    |   |  |       |   |  |       |   |  |
| デフ  |    |          |           |    |                     |   |    |             |      |   |    |   |    |    |       |   |  |      |    |    |       |   |  |       |   |    |  |   |          |      |  |  |      |    |    |     |   |    |   |  |  |    |  |  |      |    |    |    |   |  |       |   |  |       |   |  |
| 点検項目  | 結果 | 状態       |           |    |                     |   |    |             |      |   |    |   |    |    |       |   |  |      |    |    |       |   |  |       |   |    |  |   |          |      |  |  |      |    |    |     |   |    |   |  |  |    |  |  |      |    |    |    |   |  |       |   |  |       |   |  |
| 異音  | ◎  |          |           |    |                     |   |    |             |      |   |    |   |    |    |       |   |  |      |    |    |       |   |  |       |   |    |  |   |          |      |  |  |      |    |    |     |   |    |   |  |  |    |  |  |      |    |    |    |   |  |       |   |  |       |   |  |
| オイル漏れ   | ◎  |          |           |    |                     |   |    |             |      |   |    |   |    |    |       |   |  |      |    |    |       |   |  |       |   |    |  |   |          |      |  |  |      |    |    |     |   |    |   |  |  |    |  |  |      |    |    |    |   |  |       |   |  |       |   |  |
| デフロック   | /  |          |           |    |                     |   |    |             |      |   |    |   |    |    |       |   |  |      |    |    |       |   |  |       |   |    |  |   |          |      |  |  |      |    |    |     |   |    |   |  |  |    |  |  |      |    |    |    |   |  |       |   |  |       |   |  |
| <table border="1"> <thead> <tr> <th colspan="3">上物仕様</th> </tr> <tr> <th>点検項目</th> <th>結果</th> <th>状態</th> </tr> </thead> <tbody> <tr> <td>床材質</td> <td>/</td> <td>鉄板</td> </tr> </tbody> </table>  |    |          | 上物仕様      |    |                     | 点検項目  | 結果 | 状態          | 床材質  | / | 鉄板 | <table border="1"> <thead> <tr> <th colspan="3">デフ</th> </tr> <tr> <th>点検項目</th> <th>結果</th> <th>状態</th> </tr> </thead> <tbody> <tr> <td>異音</td> <td>◎</td> <td></td> </tr> <tr> <td>オイル漏れ</td> <td>◎</td> <td></td> </tr> <tr> <td>デフロック</td> <td>/</td> <td></td> </tr> </tbody> </table> |    |    | デフ    |   |  | 点検項目 | 結果 | 状態 | 異音    | ◎ |  | オイル漏れ | ◎ |    | デフロック  | / |          |      |  |  |      |    |    |     |   |    |   |  |  |    |  |  |      |    |    |    |   |  |       |   |  |       |   |  |
|   |    |          | 上物仕様      |    |                     |   |    |             |      |   |    |   |    |    |       |   |  |      |    |    |       |   |  |       |   |    |  |   |          |      |  |  |      |    |    |     |   |    |   |  |  |    |  |  |      |    |    |    |   |  |       |   |  |       |   |  |
| 点検項目  | 結果 | 状態       |           |    |                     |   |    |             |      |   |    |   |    |    |       |   |  |      |    |    |       |   |  |       |   |    |  |   |          |      |  |  |      |    |    |     |   |    |   |  |  |    |  |  |      |    |    |    |   |  |       |   |  |       |   |  |
| 床材質   | /  | 鉄板       |           |    |                     |   |    |             |      |   |    |   |    |    |       |   |  |      |    |    |       |   |  |       |   |    |  |   |          |      |  |  |      |    |    |     |   |    |   |  |  |    |  |  |      |    |    |    |   |  |       |   |  |       |   |  |
| デフ  |    |          |           |    |                     |   |    |             |      |   |    |   |    |    |       |   |  |      |    |    |       |   |  |       |   |    |  |   |          |      |  |  |      |    |    |     |   |    |   |  |  |    |  |  |      |    |    |    |   |  |       |   |  |       |   |  |
| 点検項目  | 結果 | 状態       |           |    |                     |   |    |             |      |   |    |   |    |    |       |   |  |      |    |    |       |   |  |       |   |    |  |   |          |      |  |  |      |    |    |     |   |    |   |  |  |    |  |  |      |    |    |    |   |  |       |   |  |       |   |  |
| 異音  | ◎  |          |           |    |                     |   |    |             |      |   |    |   |    |    |       |   |  |      |    |    |       |   |  |       |   |    |  |   |          |      |  |  |      |    |    |     |   |    |   |  |  |    |  |  |      |    |    |    |   |  |       |   |  |       |   |  |
| オイル漏れ   | ◎  |          |           |    |                     |   |    |             |      |   |    |   |    |    |       |   |  |      |    |    |       |   |  |       |   |    |  |   |          |      |  |  |      |    |    |     |   |    |   |  |  |    |  |  |      |    |    |    |   |  |       |   |  |       |   |  |
| デフロック   | /  |          |           |    |                     |   |    |             |      |   |    |   |    |    |       |   |  |      |    |    |       |   |  |       |   |    |  |   |          |      |  |  |      |    |    |     |   |    |   |  |  |    |  |  |      |    |    |    |   |  |       |   |  |       |   |  |

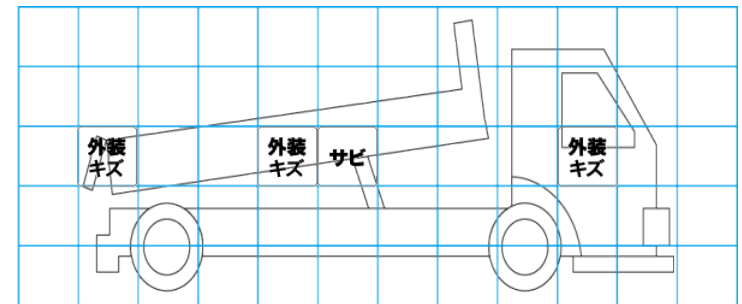
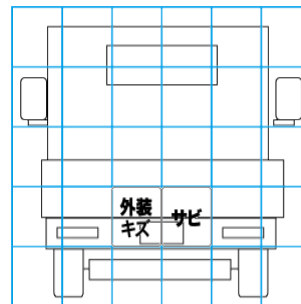
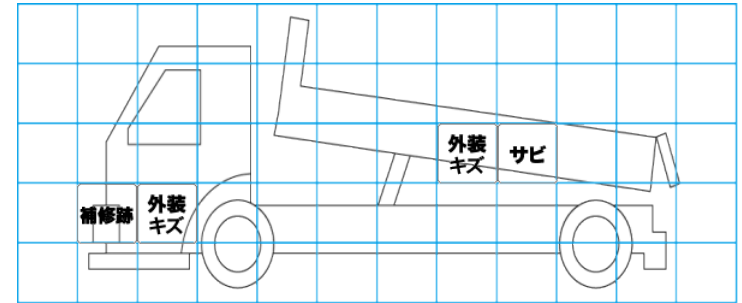
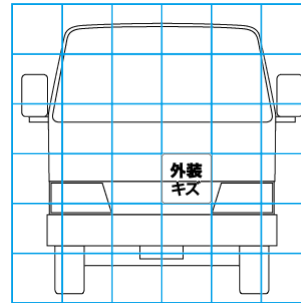
特記事項 エンジンキ-3本、キャビン天井凹み

記録簿 無()

| タイヤ残量    |   |   |   | タイヤサイズ    |           |           |           |
|----------|---|---|---|-----------|-----------|-----------|-----------|
| 単位: mm   |   |   |   |           |           |           |           |
| 5        | 5 |   |   | 195/85R16 | 195/85R16 |           |           |
| -        | - |   |   | -         | -         |           |           |
| 4        | 4 | 8 | 7 | 195/85R16 | 195/85R16 | 195/85R16 | 195/85R16 |
| -        | - | - | - | -         | -         | -         | -         |
| スペア      | 5 | - |   | スペア       | 195/85R16 | -         | -         |
| 素材: スチール |   |   |   | 備考:       |           |           |           |

| 上物仕様   |       |                       |         |
|--|-------|-----------------------|---------|
| 上物名  | メーカー  | 型式「製造番号」              | 年式      |
| ダンプ/スライドダンプ  | 新明和工業 | SD2-32<br>「S80992114」 | 平成29年9月 |
| 【備考】 手動コボレーン、コボレーンストッパー、リヤドアピン、3方開、スコップ掛け、右サニーホース破れ、サイドアオリフック刈 |       |                       |         |
| 【備考】   |       |                       |         |
| 【備考】   |       |                       |         |

| 外装状態     |        |         |     |
|----------|--------|---------|-----|
| キャブコーション | フレーム番号 | フレームのさび | 飛石  |
| 有        | 確認済    | 小       | 点傷有 |



【外装】

【ボデー内】

|      |       |    |     |    |     |    |      |       |       |     |
|------|-------|----|-----|----|-----|----|------|-------|-------|-----|
| 外装キズ | 外装へこみ | うき | 曲がり | サビ | 補修跡 | 割れ | 庫内キズ | 庫内へこみ | 庫内穴あき | 床汚れ |
|------|-------|----|-----|----|-----|----|------|-------|-------|-----|